

GENERAL INFORMATION

| | | | |
|--------------------|---------------|------------------------|--------|
| Type | D3EA132S4AB35 | Efficiency Class | IE3 |
| Pout [kW] | 5,5 | Vibration Class | A |
| Speed [rpm] | 1470 | Weight [kg] | |
| Frame | 132S | Degree of Protection | IP55 |
| Current [A] | 11,2 | Cooling Method | IC 411 |
| cos φ | 0,78 | Insulation Class | F |
| Rotation | CW-CCW | Temperature Class | B |
| Duty | S1 | Construction | IM B35 |
| Ambient Temp. [°C] | -20...+40 | Altitude above sea [m] | 1000 |

| | | | | | | | | |
|-------|----|--------|-----|-----------|---------|----------|------|------------|
| 3~MOT | | Type | | DM 132S-4 | | | η% | |
| | | | | | | | | |
| S1 | | IM B35 | | IP 55 | | I.C.L.F. | | IE3 - 89,6 |
| V | Hz | A | kW | cos φ | 1 / min | LOAD | EFF. | |
| Δ 400 | 50 | 11,2 | 5,5 | 0,78 | 1470 | %75 | 89,3 | |
| Y 690 | 50 | 6,4 | 5,5 | 0,78 | 1470 | | | |
| Δ 460 | 60 | 9,8 | 6,6 | 0,75 | 1776 | %50 | 89 | |
| Δ 480 | 60 | 11,2 | 6,6 | 0,77 | 1773 | | | |

ELECTRICAL DATA (RAW MEASUREMENT DATA)

| V1 | %Load | T [Nm] | I [A] | rpm | P2 [W] | cos φ | Efficiency | Hz |
|-----|-------|--------|-------|------|--------|-------|------------|----|
| 400 | 100 | 35,73 | 11,2 | 1470 | 5500 | 0,78 | 89,6 | 50 |
| 400 | 75 | 26,64 | 11,16 | 1479 | 4125 | 0,6 | 89,3 | 50 |
| 400 | 50 | 17,65 | 7,58 | 1488 | 2750 | 0,59 | 89 | 50 |

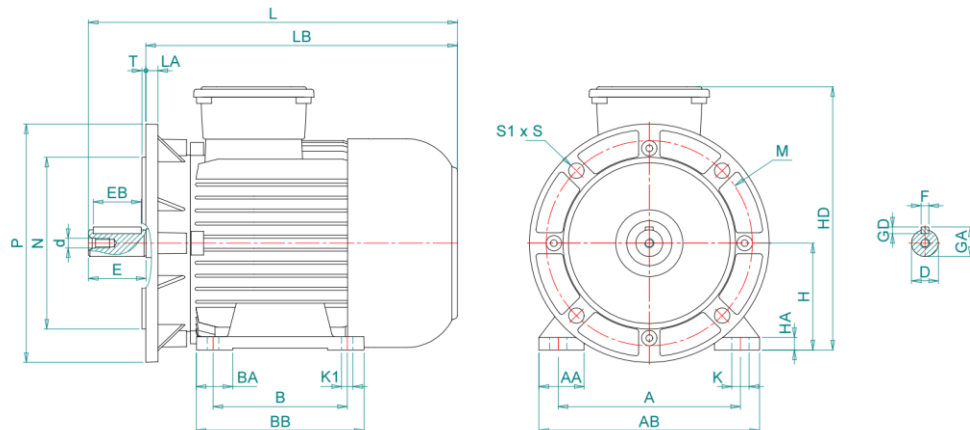
| | | | | | |
|----------------------|---------|------|------------------|---------|------|
| Locked Rotor Current | Ia [A] | 96,5 | Breakdown Torque | Mk [Nm] | 169 |
| | Ia / In | 8,62 | | Mk / Mn | 4,73 |
| Locked Rotor Torque | Ma [Nm] | 149 | No Load Current | [A] | 6,43 |
| | Ma / Mn | 4,17 | No Load Power | [W] | 338 |

MECHANICAL DATA

| | | | |
|---------------|----------------|--------------------------------|-----------|
| DE Bearing | 6208-ZZ | Sound Pressure - 50 Hz - dB[B] | 78 |
| NDE Bearing | 6208-ZZ | Sound Pressure - 60 Hz - dB[B] | 81 |
| Fixed Bearing | NO | Housing Material | Aluminium |
| Lubrication | - | DE Shield Material | Aluminium |
| Grease Amount | - | Terminal Box Material | Polyamide |
| Grease Type | - | Cable Entry | PG 21 |
| Feather Key | 10*8*70 | Cable Gland Position | 4 |
| Balance | G 1,6 Half Key | | |

MECHANICAL DIMENSIONS

| | | | | | | | | | | | | | | | |
|-----|------|------|-------|-------|------|----|------|------|-------|-----|-----|-----|------|----|----|
| A | AA | AB | AC | AD | B | B' | BA | BB | C | D | d | E | EB | F | GA |
| 216 | 58,5 | 36,2 | 258,5 | - | 140 | - | 36,2 | 180 | 89 | 38 | M12 | 80 | 70 | 10 | 41 |
| GD | H | HA | HC | HD | K | K1 | L | LA | LB | M | N | P | S | S1 | T |
| 8 | 132 | 16 | 262,6 | 316,6 | 28,2 | 12 | 482 | 17,5 | 464,5 | 265 | 230 | 300 | 14,5 | 4 | 4 |



GENERAL INFORMATION

| | | | |
|--------------------|---------------|------------------------|--------|
| Type | D3EA132S4AB35 | Efficiency Class | IE3 |
| Pout [kW] | 5,5 | Vibration Class | A |
| Speed [rpm] | 1470 | Weight [kg] | |
| Frame | 132S | Degree of Protection | IP55 |
| Current [A] | 11,2 | Cooling Method | IC 411 |
| cos φ | 0,78 | Insulation Class | F |
| Rotation | CW-CCW | Temperature Class | B |
| Duty | S1 | Construction | IM B35 |
| Ambient Temp. [°C] | -20...+40 | Altitude above sea [m] | 1000 |

| | | | | | | | |
|-------|--------|-----------|----------|-----|-------|---------|-----------|
| | | CE | | TSE | | QR | |
| 3~MOT | Type | DM 132S-4 | | | | | |
| S1 | IM B35 | IP 55 | I.C.L.F. | | | | η% |
| | V | Hz | A | kW | cos φ | 1 / min | LOAD EFF. |
| Δ | 400 | 50 | 11,2 | 5,5 | 0,78 | 1470 | %75 89,3 |
| Y | 690 | 50 | 6,4 | 5,5 | 0,78 | 1470 | |
| Δ | 460 | 60 | 9,8 | 6,6 | 0,75 | 1776 | %50 89 |
| Δ | 480 | 60 | 11,2 | 6,6 | 0,77 | 1773 | |

ELECTRICAL DATA (RAW MEASUREMENT DATA)

| V1 | %Load | T [Nm] | I [A] | rpm | P2 [W] | cos φ | Efficiency | Hz |
|-----|-------|--------|-------|------|--------|-------|------------|----|
| 400 | 100 | 35,73 | 11,2 | 1470 | 5500 | 0,78 | 89,6 | 50 |
| 400 | 75 | 26,64 | 11,16 | 1479 | 4125 | 0,6 | 89,3 | 50 |
| 400 | 50 | 17,65 | 7,58 | 1488 | 2750 | 0,59 | 89 | 50 |

| | | | | | |
|----------------------|---------|------|------------------|---------|------|
| Locked Rotor Current | Ia [A] | 96,5 | Breakdown Torque | Mk [Nm] | 169 |
| | Ia / In | 8,62 | | Mk / Mn | 4,73 |
| Locked Rotor Torque | Ma [Nm] | 149 | No Load Current | [A] | 6,43 |
| | Ma / Mn | 4,17 | No Load Power | [W] | 338 |

MECHANICAL DATA

| | | | |
|---------------|----------------|--------------------------------|-----------|
| DE Bearing | 6208-ZZ | Sound Pressure - 50 Hz - dB[B] | 78 |
| NDE Bearing | 6208-ZZ | Sound Pressure - 60 Hz - dB[B] | 81 |
| Fixed Bearing | NO | Housing Material | Aluminium |
| Lubrication | - | DE Shield Material | Aluminium |
| Grease Amount | - | Terminal Box Material | Polyamide |
| Grease Type | - | Cable Entry | PG 21 |
| Feather Key | 10*8*70 | Cable Gland Position | 4 |
| Balance | G 1,6 Half Key | | |

MECHANICAL DIMENSIONS

| | | | | | | | | | | | | | | | |
|-----|------|------|-------|-------|------|----|------|------|-------|-----|-----|-----|------|----|----|
| A | AA | AB | AC | AD | B | B' | BA | BB | C | D | d | E | EB | F | GA |
| 216 | 58,5 | 36,2 | 258,5 | - | 140 | - | 36,2 | 180 | 89 | 38 | M12 | 80 | 70 | 10 | 41 |
| GD | H | HA | HC | HD | K | K1 | L | LA | LB | M | N | P | S | S1 | T |
| 8 | 132 | 16 | 262,6 | 316,6 | 28,2 | 12 | 482 | 17,5 | 464,5 | 265 | 230 | 300 | 14,5 | 4 | 4 |

